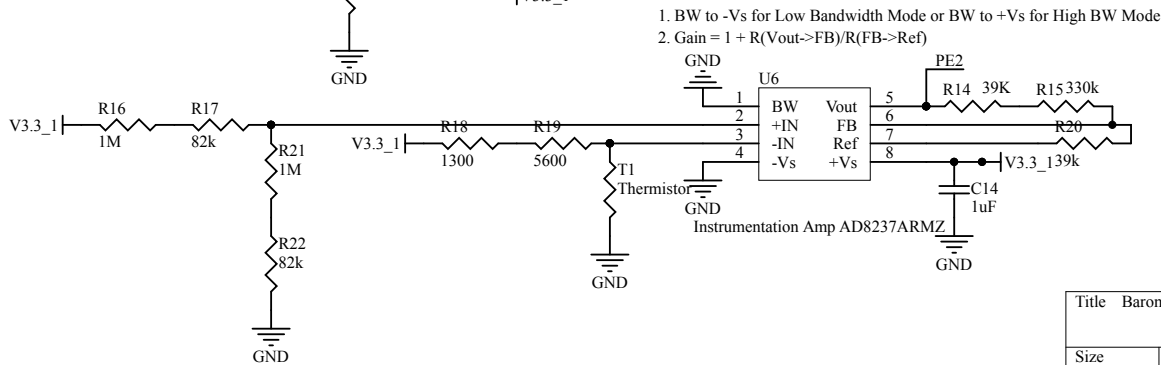
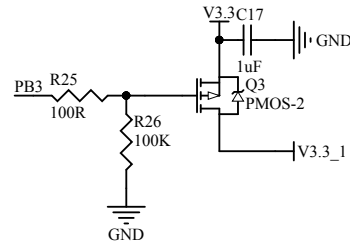
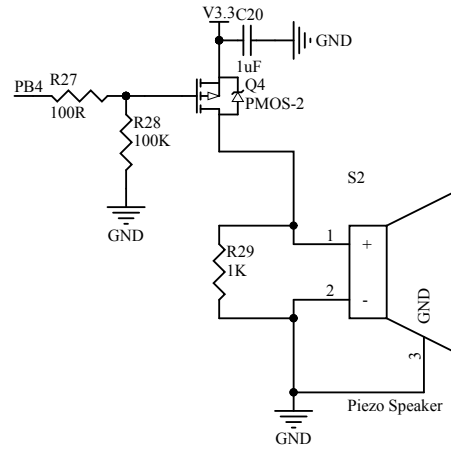
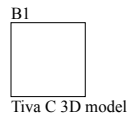
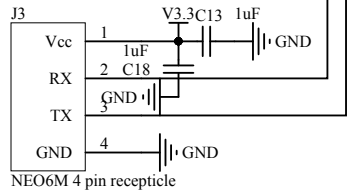
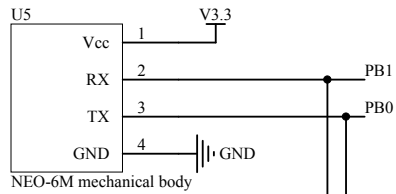
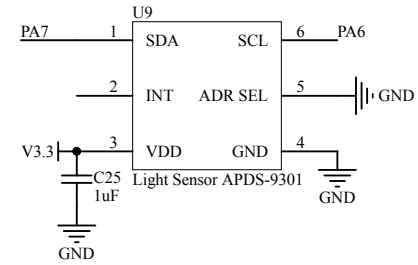
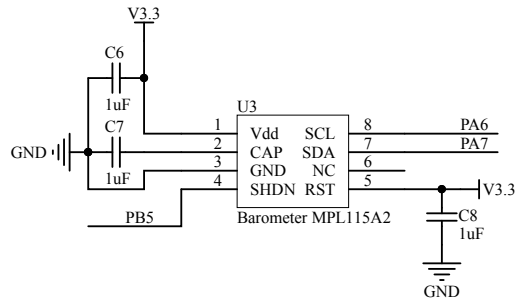


Title Power, Main Board Connections, Accelerometer		
Size A4	Number	Revision 3
Date: 31/05/2014	Sheet 1 of 2	
File: C:\Users\...\LoggerPCB.SchDoc	Drawn By: CR	Checked: AB



1. BW to -Vs for Low Bandwidth Mode or BW to +Vs for High BW Mode
2. Gain = $1 + R(\text{Vout} \rightarrow \text{FB}) / R(\text{FB} \rightarrow \text{Ref})$

Title Barometer, GPS, Temp		
Size A4	Number	Revision 3
Date: 31/05/2014	Sheet 2 of 2	
File: C:\Users\...loggerPCB_AB.SchDoc	Drawn By: AB	Checked By: CR